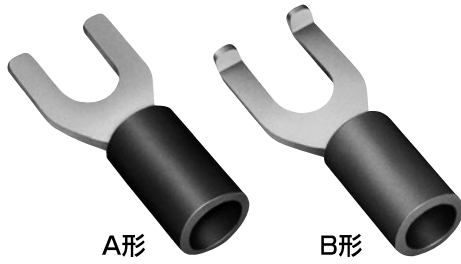
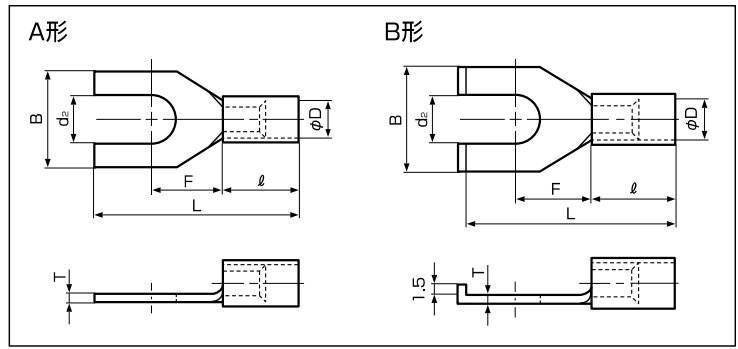


■ビニル絶縁付角先開形端子(ストレート形)



A形

B形



UL LISTED E42024 SP LR20812

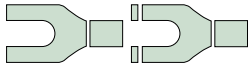
形番	規格	寸法(mm)							標準色	適用電線範囲 撚線(mm ²)	適用圧着工具			1箱 入数 (個)	
		d ₂	B	L	F	l	φD	T			手動	空気圧式	油圧式		
A形	V1.25-B3A	3.7	3.2	5.8	20.0	6.3	9.0	3.2	0.8	赤	※ 0.25~1.65 ※ 0.3 (AWG#22) 0.5 (AWG#20) 0.75 (AWG#18) 0.9 1.25 (AWG#16)	YNT-2216	YA-1 YA-2 YAT-1A YAT-2A YAD-1A YAD-2A YA-4 YAT-4A YAD-4A	BCT-0514	1,000
	V1.25-YS3A		6.4	19.6											
	V1.25-S3A		7.2												
	V1.25-N3A		6.2	20.0											
	V1.25-C3.5A		5.6												
	V1.25-YS4A	4.3	6.4	19.6	7.0										
	V1.25-S4A		7.2	20.0											
	V1.25-4A		8.5	20.0											
	V1.25-5A	5.3	9.5												
	V1.25-6A	6.4	12.0	26.2	11.0										
A形	V2-N3A	3.7	3.2	5.9	20.0	6.3	9.0	3.9	0.8	青	1.04~2.63 (1.25 (AWG#16) 2.0 (AWG#14)	YNT-1614	YA-1 YA-2 YAT-1A YAT-2A YAD-1A YAD-2A YA-4 YAT-4A YAD-4A	BCT-0514	1,000
	V2-YS3A		6.4	19.6											
	V2-S3A		7.2	20.2											
	V2-YS4A	4.3	6.4	19.6	6.3										
	V2-YM4A		6.8	19.6											
	V2-S4A		7.2	20.2											
	V2-4A	8.5	21.0	7.3											
	V2-5A	5.3	9.5												
V2-6A	6.4	12.0	26.2	11.0											
A形	V5.5-S3A	3.7	7.2			7.5	13.5	5.4	1.0	黄	2.63~6.64 (3.5 (AWG#12) 5.5 (AWG#10)	YNT-1210S	YA-4 YAT-4A YAD-4A	BCT-0514	500
	V5.5-3A		9.5												
	V5.5-S4A	4.3	8.5	26.2											
	V5.5-4A		9.5												
	V5.5-5A	5.3													
	V5.5-6A	6.4	13.5	32.2	12.2										
B形	V1.25-S3B	3.7	7.5	17.3	5.1	9.0	3.2	0.8	赤	※0.25~1.65 (※0.3 (AWG#22) 0.5 (AWG#20) 0.75 (AWG#18) 0.9 1.25 (AWG#16)	YNT-2216	YA-1, YAD-1A YA-2, YAD-2A YAT-1A YAT-2A YA-4 YAT-4A YAD-4A	BCT-0514	1,000	
	V1.25-3B		8.5	21.7	7.2										
	V1.25-S4B		7.5	17.3	5.1										
	V1.25-4B	4.3	8.5	22.7	7.2										
	V1.25-5B		5.3												
	V1.25-6B	6.4	13.5	28.2	11.7										
	V2-T3B	3.7	7.5	17.7	5.2	9.0	3.9	0.8	青	1.04~2.63 (1.25 (AWG#16) 2.0 (AWG#14)	YNT-1614	YA-1, YAD-1A YA-2, YAD-2A YAT-1A YAT-2A YA-4 YAT-4A YAD-4A	BCT-0514	1,000	
	V2-3B		8.5	21.2	7.2										
	V2-T4B		7.5	17.7	5.2										
	V2-4B	4.3	8.5	21.2	7.3										
V2-5B	5.3														
V2-6B	6.4	13.5	28.2	11.7											
V5.5-S3B	3.7	7.6	24.7	6.2	13.5	5.4	1.0	黄	2.63~6.64 (3.5 (AWG#12) 5.5 (AWG#10)	YNT-1210S	YA-4 YAT-4A YAD-4A	BCT-0514	500		
V5.5-3B		8.5	26.2	7.5											
V5.5-S4B	4.3	7.6	24.7	6.2											
V5.5-4B		8.5	26.2	7.5											
V5.5-5B	5.3														
V5.5-6B	6.4	13.5	33.2	12.2											

注1) ※印は電線の合計断面積が0.5mm²以上となる様にして使用すればより確実になります。

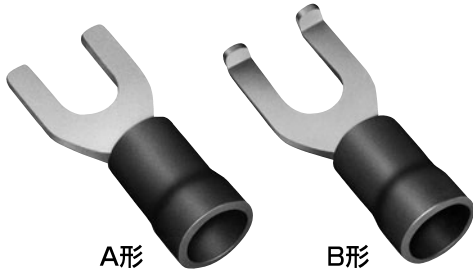
(例:0.3mm²を2つ折りにして圧着、0.5mm²はそのまま圧着)

注2) ナイロン絶縁付仕様、また丸先開形端子(X形)、丸横開形端子(Y形)仕様も製作できます。詳細は弊社までお問い合わせください。

注3) 本製品の中には多少納期を要するものもあります。

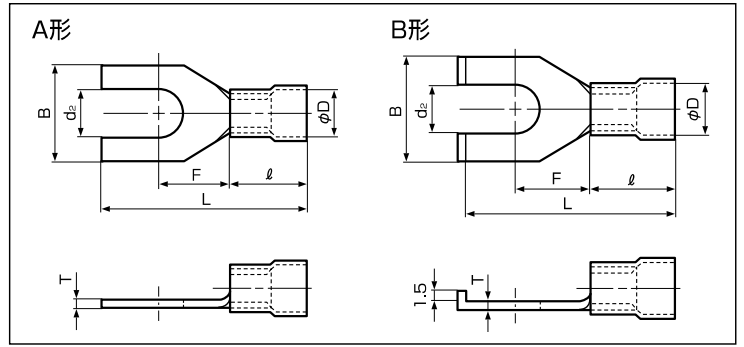


ビニル絶縁付角先開形端子 (F形)



A形

B形



UL LISTED E42024 SF LR20812

形番	規格	寸法(mm)							標準色	適用電線範囲 撚線(mm ²)	適用圧着工具			1箱 入数 (個)																				
		d2	B	L	F	ℓ	φD	T			手動	空気圧式	油圧式																					
A形	FV1.25-B3A	UL SF	3.2	5.8	20.0	6.3	9.0	4.0	0.8	赤	※ 0.25~1.65 ※ (0.3 (AWG#22)) 0.5 (AWG#20) 0.75 (AWG#18) 0.9 (1.25 (AWG#16))	YNT-2216	YA-1 YA-2 YAT-1A YAT-2A YAD-1A YAD-2A YA-4 YAT-4A YAD-4A	BCT-0514	1,000																			
	FV1.25-YS3A		3.7	7.2	20.0																													
	FV1.25-S3A	4.3	7.2	20.0																														
	FV1.25-N3A	3.2	5.9	20.0	6.3	9.0	4.5	0.8	青	1.04~2.63 (1.25 (AWG#16)) 2.0 (AWG#14)						YNT-1614	YA-1 YA-2 YAT-1A YAT-2A YAD-1A YAD-2A YA-4 YAT-4A YAD-4A	BCT-0514	1,000															
	FV1.25-YS4A	3.7	7.2	20.2																														
	FV1.25-S4A	4.3	7.2	20.2																														
	FV1.25-4A	3.2	5.9	20.0	6.3	9.0	4.5	0.8	青											1.04~2.63 (1.25 (AWG#16)) 2.0 (AWG#14)	YNT-1614	YA-1 YA-2 YAT-1A YAT-2A YAD-1A YAD-2A YA-4 YAT-4A YAD-4A	BCT-0514	1,000										
	FV1.25-5A	3.7	7.2	20.2																														
	FV1.25-6A	4.3	7.2	20.2																														
	FV2-N3A	3.2	5.9	20.0	6.3	9.0	4.5	0.8	青																1.04~2.63 (1.25 (AWG#16)) 2.0 (AWG#14)	YNT-1614	YA-1 YA-2 YAT-1A YAT-2A YAD-1A YAD-2A YA-4 YAT-4A YAD-4A	BCT-0514	1,000					
FV2-YS3A	3.7	7.2	20.2																															
FV2-S3A	4.3	7.2	20.2																															
FV2-YS4A	3.2	5.9	20.0	6.3	9.0	4.5	0.8	青	1.04~2.63 (1.25 (AWG#16)) 2.0 (AWG#14)		YNT-1614	YA-1 YA-2 YAT-1A YAT-2A YAD-1A YAD-2A YA-4 YAT-4A YAD-4A	BCT-0514	1,000																				
FV2-YM4A	3.7	7.2	20.2																															
FV2-S4A	4.3	7.2	20.2																															
FV2-4A	3.2	5.9	20.0	6.3	9.0	4.5	0.8	青		1.04~2.63 (1.25 (AWG#16)) 2.0 (AWG#14)					YNT-1614	YA-1 YA-2 YAT-1A YAT-2A YAD-1A YAD-2A YA-4 YAT-4A YAD-4A	BCT-0514	1,000																
FV2-5A	3.7	7.2	20.2																															
FV2-6A	4.3	7.2	20.2																															
FV2-5A	5.3	9.5	21.0	7.3	13.5	6.8	1.0	黄											2.63~6.64 (3.5 (AWG#12)) (5.5 (AWG#10))	YNT-1210S	YA-4 YAT-4A YAD-4A	BCT-0514	500											
FV5.5-S3A	3.7	7.2	26.2	7.5																														
FV5.5-3A	4.3	8.5																																
FV5.5-S4A	5.3	9.5																																
FV5.5-4A	3.2	5.9	20.0	6.3					9.0		4.5	0.8	青	2.63~6.64 (3.5 (AWG#12)) (5.5 (AWG#10))										YNT-1210S	YA-4 YAT-4A YAD-4A	BCT-0514	500							
FV5.5-5A	3.7	7.2	26.2																									7.5						
FV5.5-6A	4.3	8.5																																
FV5.5-S5A	5.3	9.5																																
B形	FV1.25-S3B	UL SF	3.7	7.5	17.3	5.1	9.0	4.0	0.8	赤	※0.25~1.65 (※0.3 (AWG#22)) 0.5 (AWG#20) 0.75 (AWG#18) 0.9 (1.25 (AWG#16))	YNT-2216	YA-1, YAD-1A YA-2, YAD-2A YAT-1A YAT-2A YA-4 YAT-4A YAD-4A		BCT-0514	1,000																		
	FV1.25-3B		4.3	7.5	17.3	5.1																												
	FV1.25-S4B	5.3	8.5	22.7	7.2																													
	FV1.25-4B	3.7	7.5	17.7	5.2	9.0	4.5	0.8	青	1.04~2.63 (1.25 (AWG#16)) 2.0 (AWG#14)							YNT-1614	YA-1, YAD-1A YA-2, YAD-2A YAT-1A YAT-2A YA-4 YAT-4A YAD-4A	BCT-0514	1,000														
	FV1.25-5B	3.7	7.5	17.7	5.2																													
	FV1.25-6B	4.3	7.5	17.7	5.2																													
	FV2-T3B	3.7	7.5	17.7	5.2	9.0	4.5	0.8	青					1.04~2.63 (1.25 (AWG#16)) 2.0 (AWG#14)		YNT-1614					YA-1, YAD-1A YA-2, YAD-2A YAT-1A YAT-2A YA-4 YAT-4A YAD-4A	BCT-0514	1,000											
	FV2-3B	4.3	7.5	17.7	5.2																													
	FV2-T4B	5.3	8.5	21.2	7.3																													
	FV2-4B	3.7	7.5	17.7	5.2	9.0	4.5	0.8	青											1.04~2.63 (1.25 (AWG#16)) 2.0 (AWG#14)				YNT-1614	YA-1, YAD-1A YA-2, YAD-2A YAT-1A YAT-2A YA-4 YAT-4A YAD-4A	BCT-0514	1,000							
FV2-5B	4.3	7.5	17.7	5.2																														
FV2-6B	5.3	8.5	21.2	7.3																														
FV5.5-S3B	3.2	5.9	20.0	6.3	9.0	4.5	0.8	青	2.63~6.64 (3.5 (AWG#12)) (5.5 (AWG#10))		YNT-1210S	YA-4 YAT-4A YAD-4A	BCT-0514		500																			
FV5.5-3B	3.7	7.5	17.3							5.1																								
FV5.5-S4B	4.3	7.5	17.3							5.1																								
FV5.5-4B	3.2	5.9	20.0	6.3	9.0	4.5	0.8	青		2.63~6.64 (3.5 (AWG#12)) (5.5 (AWG#10))							YNT-1210S	YA-4 YAT-4A YAD-4A	BCT-0514				500											
FV5.5-5B	3.7	7.5	17.3											5.1																				
FV5.5-6B	4.3	7.5	17.3											5.1																				
FV5.5-S5B	5.3	8.5	26.2	7.5	13.5	6.8	1.0	黄						2.63~6.64 (3.5 (AWG#12)) (5.5 (AWG#10))	YNT-1210S	YA-4 YAT-4A YAD-4A					BCT-0514	500												
FV5.5-6B	3.2	5.9	20.0	6.3																9.0				4.5	0.8	青	2.63~6.64 (3.5 (AWG#12)) (5.5 (AWG#10))	YNT-1210S	YA-4 YAT-4A YAD-4A	BCT-0514	500			
FV5.5-S6B	3.7	7.5	17.3																				5.1											
FV5.5-6B	4.3	7.5	17.3		5.1																													
FV5.5-S6B	5.3	8.5	26.2	7.5	13.5	6.8	1.0	黄	2.63~6.64 (3.5 (AWG#12)) (5.5 (AWG#10))		YNT-1210S	YA-4 YAT-4A YAD-4A	BCT-0514							500														
FV5.5-6B	3.2	5.9	20.0	6.3																		9.0	4.5	0.8	青	2.63~6.64 (3.5 (AWG#12)) (5.5 (AWG#10))						YNT-1210S	YA-4 YAT-4A YAD-4A	BCT-0514
FV5.5-S6B	3.7	7.5	17.3																												5.1			
FV5.5-6B	4.3	7.5	17.3		5.1																													
FV5.5-S6B	5.3	8.5	26.2	7.5	13.5	6.8	1.0	黄		2.63~6.64 (3.5 (AWG#12)) (5.5 (AWG#10))							YNT-1210S	YA-4 YAT-4A YAD-4A	BCT-0514			500												
FV5.5-6B	3.2	5.9	20.0	6.3																9.0			4.5	0.8	青						2.63~6.64 (3.5 (AWG#12)) (5.5 (AWG#10))			
FV5.5-S6B	3.7	7.5	17.3											5.1																				
FV5.5-6B	4.3	7.5	17.3		5.1																													
FV5.5-S6B	5.3	8.5	26.2	7.5	13.5	6.8	1.0	黄						2.63~6.64 (3.5 (AWG#12)) (5.5 (AWG#10))	YNT-1210S	YA-4 YAT-4A YAD-4A				BCT-0514	500													
FV5.5-6B	3.2	5.9	20.0	6.3																		9.0	4.5	0.8	青		2.63~6.64 (3.5 (AWG#12)) (5.5 (AWG#10))	YNT-1210S	YA-4 YAT-4A YAD-4A	BCT-0514				
FV5.5-S6B	3.7	7.5	17.3						5.1																									
FV5.5-6B	4.3	7.5	17.3		5.1																													
FV5.5-S6B	5.3	8.5	26.2	7.5	13.5	6.8	1.0	黄	2.63~6.64 (3.5 (AWG#12)) (5.5 (AWG#10))		YNT-1210S	YA-4 YAT-4A YAD-4A	BCT-0514									500												
FV5.5-6B	3.2	5.9	20.0	6.3																	9.0		4.5	0.8	青	2.63~6.64 (3.5 (AWG#12)) (5.5 (AWG#10))						YNT-1210S	YA-4 YAT-4A YAD-4A	BCT-0514
FV5.5-S6B	3.7	7.5	17.3							5.1																								
FV5.5-6B	4.3	7.5	17.3		5.1																													
FV5.5-S6B	5.3	8.5	26.2	7.5	13.5	6.8	1.0	黄		2.63~6.64 (3.5 (AWG#12)) (5.5 (AWG#10))							YNT-1210S	YA-4 YAT-4A YAD-4A	BCT-0514		500													
FV5.5-6B	3.2	5.9	20.0	6.3																		9.0	4.5	0.8	青						2.63~6.64 (3.5 (AWG#12)) (5.5 (AWG#10))			
FV5.5-S6B	3.7	7.5	17.3											5.1																				
FV5.5-6B	4.3	7.5	17.3		5.1																													
FV5.5-S6B	5.3	8.5	26.2	7.5	13.5	6.8	1.0	黄						2.63~6.64 (3.5 (AWG#12)) (5.5 (AWG#10))	YNT-1210S	YA-4 YAT-4A YAD-4A				BCT-0514		500												
FV5.5-6B	3.2	5.9	20.0	6.3																	9.0		4.5	0.8	青		2.63~6.64 (3.5 (AWG#12)) (5.5 (AWG#10))	YNT-1210S	YA-4 YAT-4A YAD-4A	BCT-0514				
FV5.5-S6B	3.7	7.5	17.3						5.1																									
FV5.5-6B	4.3	7.5	17.3		5.1																													
FV5.5-S6B	5.3	8.5	26.2	7.5	13.5	6.8	1.0	黄	2.63~6.64 (3.5 (AWG#12)) (5.5 (AWG#10))		YNT-1210S	YA-4 YAT-4A YAD-4A	BCT-0514								500													
FV5.5-6B	3.2	5.9	20.0	6.3																		9.0	4.5	0.8	青	2.63~6.64 (3.5 (AWG#12)) (5.5 (AWG#10))						YNT-1210S	YA-4 YAT-4A YAD-4A	BCT-0514
FV5.5-S6B	3.7	7.5	17.3							5.1																								
FV5.5-6B	4.3	7.5	17.3		5.1																													
FV5.5-S6B	5.3	8.5	26.2	7.5	13.5	6.8	1.0	黄		2.63~6.64 (3.5 (AWG#12)) (5.5 (AWG#10))							YNT-1210S	YA-4 YAT-4A YAD-4A	BCT-0514			500												
FV5.5-6B	3.2	5.9	20.0	6.3																	9.0		4.5	0.8	青						2.63~6.64 (3.5 (AWG#12)) (5.5 (AWG#10))			
FV5.5-S6B	3.7	7.5	17.3											5.1																				
FV5.5-6B	4.3	7.5	17.3		5.1																													
FV5.5-S6B	5.3	8.5	26.2	7.5	13.5	6.8	1.0	黄						2.63~6.64 (3.5 (AWG#12)) (5.5 (AWG#10))	YNT-1210S	YA-4 YAT-4A YAD-4A				BCT-0514	500													
FV5.5-6B	3.2	5.9	20.0	6.3																		9.0	4.5	0.8	青		2.63~6.64 (3.5 (AWG#12)) (5.5 (AWG#10))	YNT-1210S	YA-4 YAT-4A YAD-4A	BCT-0514				
FV5.5-S6B	3.7	7.5	17.3						5.1																									
FV5.5-6B	4.3	7.5	17.3		5.1																													
FV5.5-S6B	5.3	8.5	26.2	7.5	13.5	6.8	1.0	黄	2.63~6.64 (3.5 (AWG#12)) (5.5 (AWG#10))		YNT-1210S	YA-4 YAT-4A YAD-4A	BCT-0514									500												
FV5.5-6B	3.2	5.9	20.0	6.3																	9.0		4.5	0.8	青	2.63~6.64 (3.5 (AWG#12)) (5.5 (AWG#10))						YNT-1210S	YA-4 YAT-4A YAD-4A	BCT-0514
FV5.5-S6B	3.7	7.5	17.3							5.1																								
FV5.5-6B	4.3	7.5	17.3		5.1																													
FV5.5-S6B	5.3	8.5	26.2	7.5	13.5	6.8	1.0	黄		2.63~6.64 (3.5 (AWG#12)) (5.5 (AWG#10))							YNT-1210S	YA-4 YAT-4A YAD-4A	BCT-0514		500													
FV5.5-6B	3.2	5.9	20.0	6.3																		9.0	4.5	0.8	青						2.63~6.64 (3.5 (AWG#12)) (5.5 (AWG#10))			